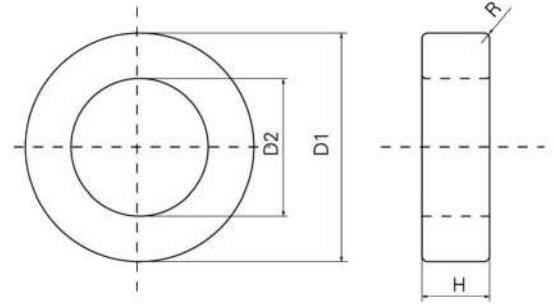
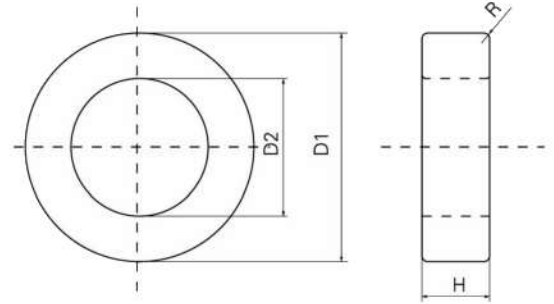


Toroidal Cores



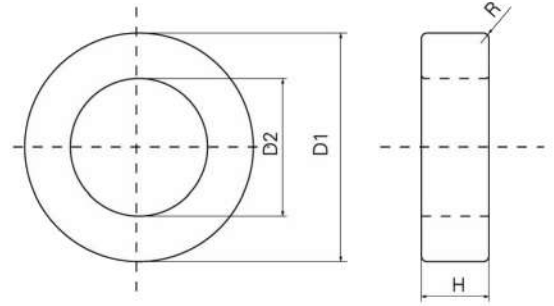
NO.	Type	Dimension(mm)			Weight (g)
		D1	D2	H	
1	T 5X2.3X1.4	5.0±0.3	2.3±0.2	1.4±0.2	0.11
2	T 6X3X3	6.0±0.3	3.0±0.3	3.0±0.2	0.3
3	T 8X4X4	8.0±0.3	4.0±0.3	4.0±0.3	0.74
4	T 8X5X3	8.0±0.3	5.0±0.3	3.0±0.2	0.45
5	T 9X5X3	9.0±0.3	5.0±0.3	3.0±0.2	0.6
6	T 10X5X5	10.0±0.3	5.0±0.3	5.0±0.3	1.4
7	T 10X6X2.8	10.0±0.3	6.0±0.3	2.8±0.2	0.7
8	T 10X6X3.5	10.0±0.3	6.0±0.3	3.5±0.2	0.85
9	T 10X6X4	10.0±0.3	6.0±0.3	4.0±0.2	0.96
10	T 10X6X5	10.0±0.3	6.0±0.3	5.0±0.3	1.2
11	T 12X6X4	12.0±0.4	6.0±0.3	4.0±0.3	1.6
12	T 13X7X5	13.0±0.4	7.0±0.3	5.0±0.3	2.3
13	T 14X8X7	14.0±0.4	8.0±0.3	7.0±0.3	3.4
14	T 14X9X5	14.0±0.4	9.0±0.3	5.0±0.3	2.1
15	T 14.6X10.5X3.7	14.6±0.3	10.5±0.3	3.7±0.3	1.5
16	T 16X8X5	16.0±0.3	8.0±0.3	5.0±0.3	3.5
17	T 16X9X5	16.0±0.4	9.0±0.3	5.0±0.3	3.2
18	T 16X10X7	16.0±0.4	10.0±0.3	7.0±0.3	4.1
19	T 16X12X8	16.0±0.3	12.0±0.3	8.0±0.3	3.4
20	T 18X10X6.35	18.0±0.4	10.0±0.3	6.35±0.3	5.3
21	T 18X10X10	18.0±0.4	10.0±0.3	10.0±0.3	8.3
22	T 19X11X10	19.0±0.4	11.0±0.3	10.0±0.3	9.1
23	T 19X13X11	19.0±0.4	13.0±0.3	11.0±0.3	7.98
24	T 20X10X7	20.0±0.4	10.0±0.3	7.0±0.3	8

Toroidal Cores



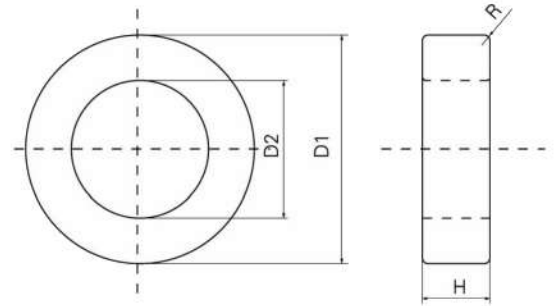
NO.	Type	Effective parameter				AL(nH/N ²)				
		C ₁	Le	Ae	Ve	CS3	CP4	CH5	CH7	CH10
		(mm ⁻¹)	(mm)	(mm ²)	(mm ³)					
1	T 5X2.3X1.4	—	10.39	1.8	18.68	—	—	—	—	—
2	T 6X3X3	3.13	14.1	4.5	63.5	1300±30%	1000±30%	2250±30%	3150±30%	4200±30%
3	T 8X4X4	2.36	18.84	8	150.7	1600±30%	1230±30%	2940±30%	3733±30%	5333±30%
4	T 8X5X3	4.53	20.41	4.5	91.85	830±30%	640±30%	1500±30%	1950±30%	2770±30%
5	T 9X5X3	3.66	22	6	132	1100±30%	850±30%	1900±30%	2600±30%	3500±30%
6	T 10X5X5	1.88	23.5	12.5	294	2000±30%	1530±30%	3600±30%	4660±30%	6660±30%
7	T 10X6X2.8	4.48	25.12	5.6	141	840±30%	650±30%	1550±30%	1960±30%	2800±30%
8	T 10X6X3.5	3.59	25.12	7	175.84	1050±30%	800±30%	1930±30%	2450±30%	3500±30%
9	T 10X6X4	3.14	25.12	8	200	1200±30%	920±30%	2200±30%	2800±30%	4000±30%
10	T 10X6X5	2.51	25.12	10	251.2	1600±30%	1200±30%	2800±30%	3800±30%	5100±30%
11	T 12X6X4	2.35	28.26	12	339	1600±30%	1220±30%	2900±30%	3800±30%	5100±30%
12	T 13X7X5	2.09	31.4	15	471	1800±30%	1380±30%	3300±30%	4200±30%	6000±30%
13	T 14X8X7	1.64	34.54	21	725	2300±30%	1760±30%	3900±30%	5460±30%	7000±30%
14	T 14X9X5	2.89	36.1	12.5	452	1400±30%	1060±30%	2400±30%	3300±30%	4400±30%
15	T 14.6X10.5X3.7	5.19	39.41	7.58	298	730±30%	550±30%	1330±30%	1700±30%	2400±30%
16	T 16X8X5	1.88	37.68	20	754	2200±30%	1660±30%	3800±30%	5200±30%	6900±30%
17	T 16X9X5	2.24	39.25	17.5	686.87	1680±30%	1290±30%	2800±30%	3920±30%	5600±30%
18	T 16X10X7	1.94	40.82	21	857.22	1950±30%	1480±30%	3230±30%	4523±30%	6450±30%
19	T 16X12X8	2.75	43.96	16	703	1500±30%	1100±30%	2500±30%	3500±30%	4600±30%
20	T 18X10X6.35	1.73	43.96	25.4	1116.58	2400±30%	1800±30%	4100±30%	5600±30%	7500±30%
21	T 18X10X10	1.1	43.96	40	1758.4	3800±30%	2800±30%	6500±30%	8800±30%	11800±30%
22	T 19X11X10	1.18	47.1	40	1884	3200±30%	2450±30%	5860±30%	7460±30%	10660±30%
23	T 19X13X11	1.52	50.24	33	1657.92	2470±30%	1900±30%	4550±30%	5800±30%	8300±30%
24	T 20X10X7	1.34	47.1	35	1648.5	2900±30%	2150±30%	5150±30%	6550±30%	9340±30%

Toroidal Cores



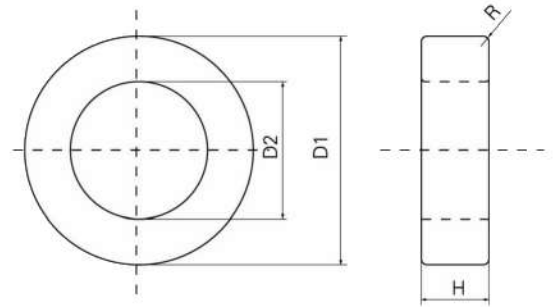
NO.	Type	Dimension(mm)			Weight
		D1	D2	H	(g)
25	T 20X10X10	20.0±0.4	10.0±0.3	10.0±0.3	11.5
26	T 20X12X10	20.0±0.4	12.0±0.4	10.0±0.3	9.8
27	T 22X14X8	22.0±0.4	14.0±0.4	8.0±0.3	8.8
28	T 22X14X10	22.0±0.4	14.0±0.4	10.0±0.3	10.8
29	T 22X14X12.7	22.0±0.4	14.0±0.4	12.7±0.3	13.6
30	T 25X15X10	25.0±0.4	15.0±0.4	10.0±0.3	14.8
31	T 25X15X12	25.0±0.4	15.0±0.4	12.0±0.3	18
32	T 25X15X13	25.0±0.4	15.0±0.4	13.0±0.3	19.5
33	T 26X14.5X20	26.0±0.5	14.5±0.4	20.0±0.4	35
34	T 28X16X16	28.0±0.4	16.0±0.4	16.0±0.3	31
35	T 28X18X13	28.0±0.4	18.0±0.4	13.0±0.3	23
36	T 29X18X15	29.0±0.5	18.0±0.4	15.0±0.3	29
37	T 29X19X15	29.0±0.5	19.0±0.4	15.0±0.3	27.2
38	T 31X18X14	31.0±0.5	18.0±0.5	14.0±0.4	33.6
39	T 31X19X13	31.0±0.5	19.0±0.5	13.0±0.4	29.5
40	T 31X19X15	31.0±0.5	19.0±0.5	15.0±0.4	34
41	T 31X20X15	31.0±0.5	20.0±0.4	15.0±0.4	31.7
42	T 34X21.8X21	34.0±0.6	21.8±0.6	21.0±0.4	55
43	T 36X23X15	36.0±0.5	23.0±0.5	15.0±0.4	44
44	T 37X23X15	37.0±0.5	23.0±0.5	15.0±0.4	48.5
45	T 38X19X13	38.0±0.5	19.0±0.5	13.0±0.4	52.5
46	T 38X19X15	38.0±0.5	19.0±0.5	15.0±0.4	60
47	T 38X19X21	38.0±0.5	19.0±0.5	21.0±0.4	85
48	T 38X20.5X15	38.0±0.5	20.5±0.5	15.0±0.4	58
49	T 38X22X15	38.0±0.5	22.0±0.5	15.0±0.4	55
50	T 38X25X15	38.0±0.5	25.0±0.5	15.0±0.4	46.3

Toroidal Cores



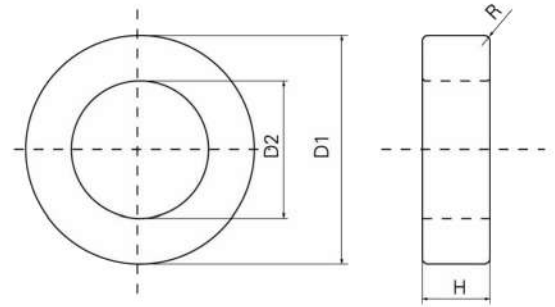
NO.	Type	Effective parameter				AL(nH/N ²)				
		C ₁	Le	Ae	Ve	CS3	CP4	CH5	CH7	CH10
		(mm ⁻¹)	(mm)	(mm ²)	(mm ³)					
25	T 20X10X10	0.942	47.1	50	2355	4200±30%	3300±30%	6930±30%	9200±30%	13860±30%
26	T 20X12X10	1.25	50.24	40	2009	3000±30%	2300±30%	5500±30%	7000±30%	10000±30%
27	T 22X14X8	1.76	56.52	32	1808.64	2300±30%	1700±30%	4000±30%	5000±30%	7200±30%
28	T 22X14X10	1.41	56.52	40	2260.8	2700±30%	2100±30%	5000±30%	6300±30%	9000±30%
29	T 22X14X12.7	1.11	56.52	50.8	2871	3800±30%	3000±30%	7800±30%	9200±30%	11500±30%
30	T 25X15X10	1.25	62.8	50	3140	2900±30%	2200±30%	5400±30%	7500±30%	9200±30%
31	T 25X15X12	1.04	62.8	60	3768	3900±30%	2900±30%	6700±30%	9200±30%	12000±30%
32	T 25X15X13	0.96	62.8	65	4082	4300±30%	3200±30%	7300±30%	10000±30%	13300±30%
33	T 26X14.5X20	0.55	63.58	115	7312.2	6800±30%	5250±30%	11700±30%	16300±30%	23000±30%
34	T 28X16X16	0.72	69.08	96	6631.68	5600±30%	4600±30%	8950±30%	12500±30%	17900±30%
35	T 28X18X13	1.11	72.22	65	4694.3	4000±30%	3000±30%	5500±30%	7600±30%	11000±30%
36	T 29X18X15	0.89	73.79	82.5	6087	4200±30%	3200±30%	7700±30%	9800±30%	14000±30%
37	T 29X19X15	1	75.36	75	5652	3750±30%	2870±30%	6800±30%	9000±30%	12000±30%
38	T 31X18X14	0.84	76.93	91	7000	4500±30%	3400±30%	8600±30%	10500±30%	14000±30%
39	T 31X19X13	1	78.5	78	6123	3800±30%	2800±30%	7000±30%	8800±30%	12700±30%
40	T 31X19X15	0.87	78.5	90	7065	4700±30%	3700±30%	7800±30%	11200±30%	13600±30%
41	T 31X20X15	0.97	80.07	82.5	6605.7	3880±30%	3000±30%	5900±30%	9000±30%	12000±30%
42	T 34X21.8X21	0.68	87.6	128.1	11222	5500±30%	4230±30%	10100±30%	12850±30%	18360±30%
43	T 36X23X15	0.95	92.63	97.5	9032	4000±30%	3200±30%	7400±30%	9300±30%	13500±30%
44	T 37X23X15	0.89	94.2	105	9891	4200±30%	3220±30%	7700±30%	9800±30%	14000±30%
45	T 38X19X13	0.722	89.49	123.5	11052	5200±30%	4000±30%	9500±30%	12100±30%	17300±30%
46	T 38X19X15	0.628	89.49	142.5	12752	6000±30%	4600±30%	11000±30%	14000±30%	20000±30%
47	T 38X19X21	0.448	89.49	199.5	17853	8400±30%	6440±30%	15400±30%	19600±30%	28000±30%
48	T 38X20.5X15	0.7	91.8	131	12054	5400±30%	4140±30%	9900±30%	12600±30%	18000±30%
49	T 38X22X15	0.785	94.2	120	11304	4800±30%	3680±30%	8800±30%	11200±30%	16000±30%
50	T 38X25X15	1.01	98.9	97.5	9643	3714±30%	2850±30%	6800±30%	8666±30%	12380±30%

Toroidal Cores



NO.	Type	Dimension(mm)			Weight
		D1	D2	H	(g)
51	T 40X23X20	40.0±0.8	23.0±0.6	20.0±0.5	81
52	T 40X25X20	40.0±0.8	25.0±0.6	20.0±0.5	73.5
53	T 42X26X18	42.0±0.8	26.0±0.6	18.0±0.6	74
54	T 45X30X15	45.0±0.8	30.0±0.6	15.0±0.4	64
55	T 47X27X15	47.0±0.8	27.0±0.6	15.0±0.4	84
56	T 48X30X10	48.0±1.0	30.0±0.5	10.0±0.3	55
57	T 48X30X15	48.0±1.0	30.0±0.5	15.0±0.4	79
58	T 49X31X15	49.0±0.6	31.0±0.6	15.0±0.4	81
59	T 49X31X19	49.0±0.6	31.0±0.6	18.8±0.3	103
60	T 49X31.8X19	49.0±0.6	31.8±0.6	18.8±0.3	96
61	T 49X33.8X19	49.0±0.6	33.8±0.6	19.0±0.3	90
62	T 50X25X20	50.0±1.0	25.0±0.6	20.0±0.6	141.3
63	T 51X31X13	51.0±1.0	31.0±0.8	13.0±0.4	83
64	T 56X32X18	56.0±1.0	32.0±1.0	18.0±0.6	143
65	T 56X36X20	56.0±1.0	36.0±1.0	20.0±0.6	136
66	T 58X40X18	58.0±1.5	40.0±1.0	18.0±0.6	120
67	T 60X38X20	60.0±1.5	38.0±1.0	20.0±0.6	162
68	T 60X40X20	60.0±1.5	40.0±1.0	20.0±0.6	150
69	T 63X38X12.7	63.0±1.0	38.0±0.5	12.7±0.5	120
70	T 63X38X25	63.0±1.5	38.0±1.0	25.0±0.8	236
71	T 68X44X15	68.0±1.5	44.0±0.8	15.0±0.5	152
72	T 74X40X13	74.0±1.5	40.0±1.0	13.0±0.4	188
73	T 80X50X20	80.0±1.5	50.0±1.0	20.0±0.8	293
74	T 87X54X14	87.0±2.0	54.0±2.0	14.0±0.5	245
75	T 87X54X30	87.0±2.0	54.0±2.0	30.0±1.0	526
76	T 100X50X20	100.0±1.2	50.0±0.9	20.0±0.4	560
77	T 102X66X15	102.0±2.0	66.0±2.0	15.0±0.6	336
78	T 154X80X45	154±2.5	80±1.5	45±0.5	2930

Toroidal Cores



NO.	Type	Effective parameter				AL(nH/N ²)				
		C ₁	Le	Ae	Ve	CS3	CP4	CH5	CH7	CH10
		(mm ⁻¹)	(mm)	(mm ²)	(mm ³)					
51	T 40X23X20	0.581	98.9	170	16814.7	6500±30%	5000±30%	11800±30%	15100±30%	21500±30%
52	T 40X25X20	0.68	102	150	15307	5530±30%	4240±30%	10150±30%	12920±30%	18450±30%
53	T 42X26X18	0.741	106.76	144	15373	5080±30%	3896±30%	9317±30%	11858±30%	16941±30%
54	T 45X30X15	1.046	117.75	112.5	13246.8	3600±30%	2760±30%	6600±30%	8400±30%	12000±30%
55	T 47X27X15	0.77	116.18	150	17427	4860±30%	3730±30%	8900±30%	11350±30%	16210±30%
56	T 48X30X10	1.36	122.46	90	11021	2800±30%	2130±30%	5070±30%	6500±30%	9230±30%
57	T 48X30X15	0.91	122.46	135	16532	4500±30%	3400±30%	7800±30%	10600±30%	14000±30%
58	T 49X31X15	0.93	125.6	135	16956	4050±30%	3100±30%	7430±30%	9500±30%	13500±30%
59	T 49X31X19	0.735	125.6	171	21477	5130±30%	3950±30%	7800±30%	11900±30%	17100±30%
60	T 49X31.8X19	0.77	126.8	163.4	20728	5130±30%	3950±30%	7800±30%	11900±30%	17100±30%
61	T 49X33.8X19	0.9	130	144.4	18771	4185±30%	3200±30%	7670±30%	9765±30%	13950±30%
62	T 50X25X20	0.471	117.75	250	29437.5	8000±30%	6133±30%	14666±30%	18666±30%	26666±30%
63	T 51X31X13	0.99	128.74	130	16736	3800±30%	2900±30%	6900±30%	9000±30%	12600±30%
64	T 56X32X18	0.639	138.16	216	29842	5900±30%	4500±30%	10800±30%	13500±30%	19600±30%
65	T 56X36X20	0.575	138.16	240	33158.4	5220±30%	2300±30%	9500±30%	12100±30%	17300±30%
66	T 58X40X18	1	150.7	144	21703	3960±30%	3050±30%	7200±30%	9250±30%	13200±30%
67	T 60X38X20	0.7	153.8	220	33849	5385±30%	4130±30%	9870±30%	12560±30%	17950±30%
68	T 60X40X20	0.785	157	200	31400	4800±30%	3680±30%	8800±30%	11200±30%	16000±30%
69	T 63X38X12.7	0.99	158.57	158.75	25172.99	3800±30%	2900±30%	6840±30%	8800±30%	12500±30%
70	T 63X38X25	0.5	158.57	312.5	59553	8500±30%	6500±30%	15500±30%	19800±30%	28300±30%
71	T 68X44X15	0.976	175.84	180	31651.2	3850±30%	2950±30%	7000±30%	9000±30%	12800±30%
72	T 74X40X13	0.809	178.98	221	39554	4650±30%	3550±30%	8500±30%	10800±30%	15500±30%
73	T 80X50X20	0.68	204.1	300	61230	5500±30%	4250±30%	10100±30%	12900±30%	18000±30%
74	T 87X54X14	0.958	221.3	231	51136.47	3950±30%	3000±30%	7200±30%	9000±30%	13000±30%
75	T 87X54X30	0.45	221.37	495	109578	8400±30%	6450±30%	15000±30%	19500±30%	28000±30%
76	T 100X50X20	0.471	235.5	500	117750	8000±30%	6100±30%	14600±30%	18600±30%	26600±30%
77	T 102X66X15	0.977	263.76	270	71215	3850±30%	2950±30%	7000±30%	9000±30%	12500±30%
78	T 154X80X45	0.22	367	1665	611687	-	11700±30%	28000±30%	-	56000±30%